

Boa 2000 Monitor

30° EXTENDED VERTICAL TRAVEL FOR ENHANCED MANEUVERABILITY OF THE WATER STREAM

The efficient 4" vaned waterway and 3.5" discharge matched with an SM-2000E master stream nozzle delivers an effective stream while the power of the EXM provides all of the user-programmable options, including travel limits, oscillation, stow and keep-out zones.

Mechanical Features:

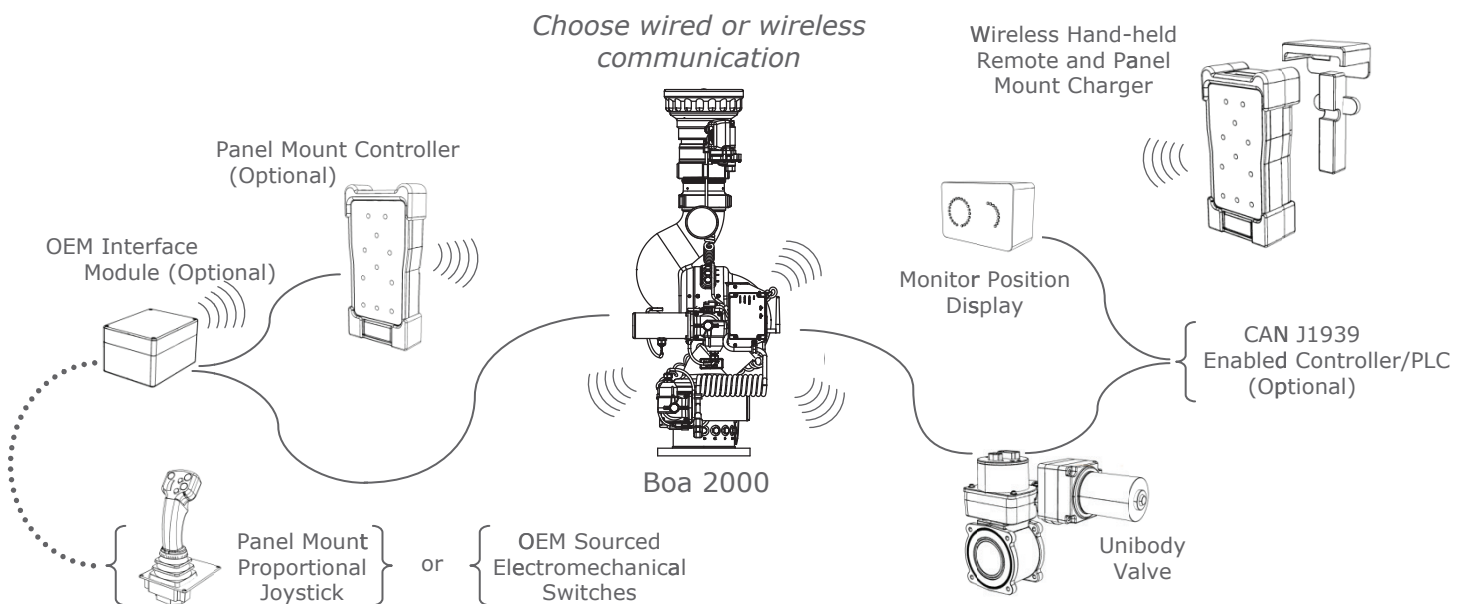
- 2000 GPM (7570 LPM) Flow
- 4" Fully vaned waterway
- Manual travel override
- Teflon impregnated, hard anodized aluminum alloy construction
- Motors and control components sealed to NEMA 4 rating
- Sealed high-torque gear motors
- Liquid-filled discharge pressure gauge

Control Features:

- Powered by EXM technology
- 12 or 24 VDC input voltage
- Wired or wireless communication
- CAN bus J1939 compatible
- Single speed, two speed, or fully proportional speed control
- Programmable travel limits, keep-out zones, stow and deploy, and oscillation

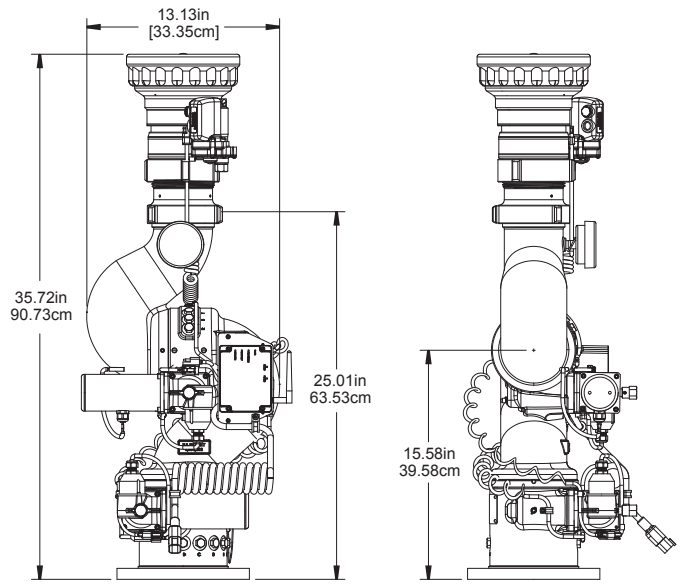


Boa 2000 Monitor

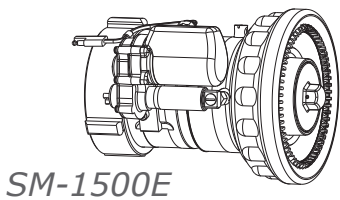
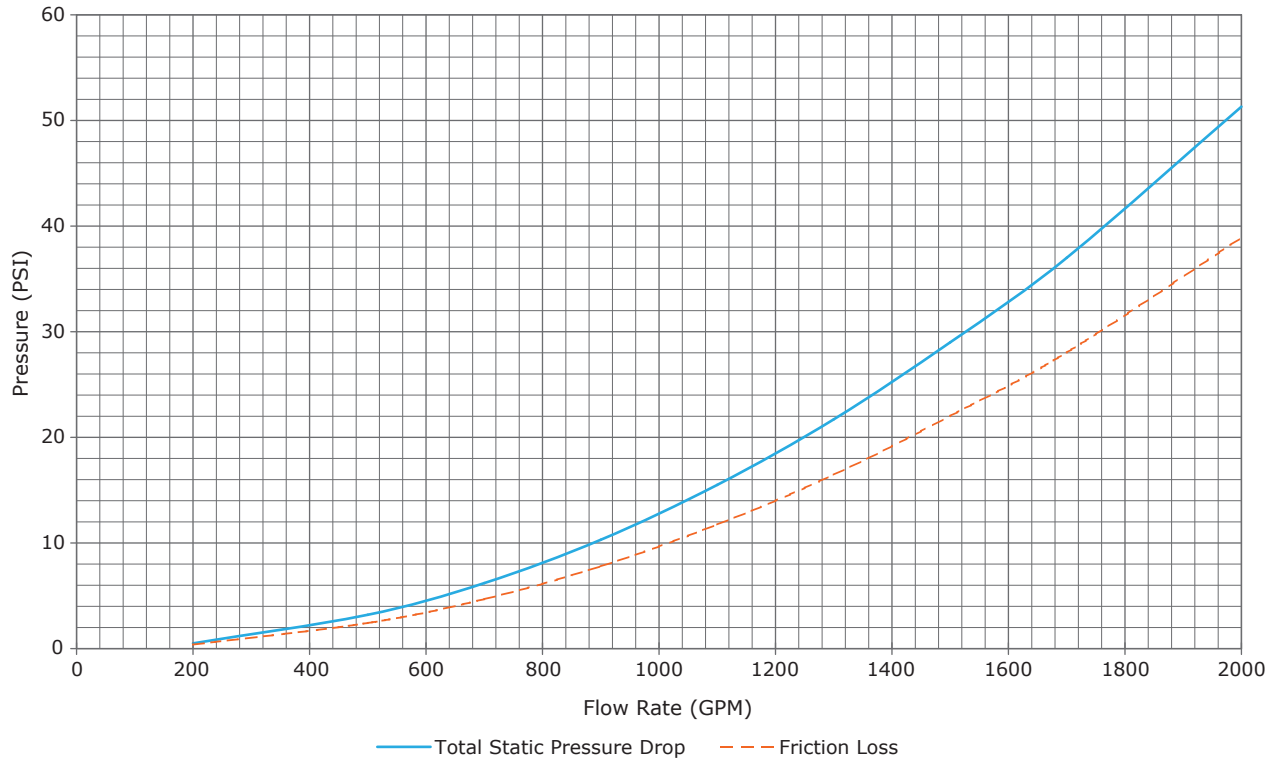


Boa 2000 Monitor

SPECIFICATIONS	
Model	7451
Max Flow	2000 GPM (7570 LPM)
Max Pressure	200 PSI (13.8 Bar)
Inlet	4" 150# Flange
Outlet	3.5" NHT
Travel (Field Selectable)	V: -45° to +120° H: L175° to R175°
Swing Radius	8.9" (360°)
Stow Height	20"
Weight	47 Lbs. (21.3kg)

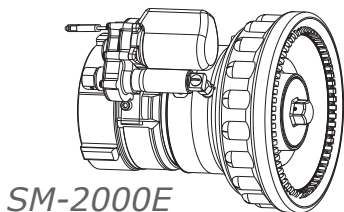


Boa 2000 Losses (4.0" Inlet and 3.5" Outlet)



X-Stream™ Series Master Stream Nozzles

The SM-1500E & SM-2000E are two electrically actuated master stream nozzles for use with the Boa 2000™ monitor. The X-Stream series nozzles automatically adjust to maintain an effective stream and maximum reach at variable or reduced flows. Electric actuators are completely sealed and allow precise pattern control from straight stream to wide fog.



SPECIFICATIONS			
Model	Inlet	Pressure PSI(BAR)	Flow GPM(LPM)
SM-1500E	3.5"	70 (4.83 BAR)	500-1500 (1893-5678)
SM-2000E	3.5"	80 (5.51 BAR)	500-2000 (1893-7570)